

MOTHERSHIP Tilting tables

MOTHERSHIP tilting table adapts to the contemporary lifestyle which involves dynamic changing of settings in an interior or moving frequently. The tilting base allows public spaces to transform a place in an efficient way and to store a large amount of desks without problem. The MOTHERSHIP office tables, available in two sizes — 1400 × 800 mm and 1600 × 800 mm — offer an ideal setting for office areas both for domestic and contract environments. The tilting base allows mobility in the workspace and efficient storage of multiple desks.

Dimensions:

Table size:

1400 × 800 × 705 mm (L×W×H)

Weight: 31,7 kg

Large table size:

1600 × 800 × 705 mm (L×W×H)

Weight: 34,8 kg

Certificates:

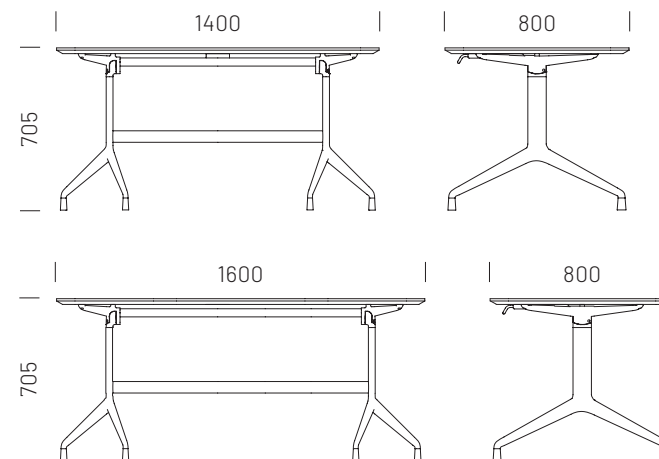
Stability and safety: EN 12521:2016; EN 15372:2016

Surface resistance: EN 12720:2009+A1:2013; SIS 83 91 17 2) or EN 15186 3); EN 12722:2009 + A1:2013;

EN 12721:2009+A1:2013; NS 8061; EN ISO 105-E04:2013

SURFACE	SIZE	PRICE
Lacquered oak / walnut	1400 × 800	697 EUR
Lacquered oak / walnut w/ castors	1400 × 800	746 EUR
Painted oak	1400 × 800	746 EUR
Painted oak w/ castors	1400 × 800	795 EUR
Lacquered oak / walnut	1600 × 800	931 EUR
Lacquered oak / walnut w/ castors	1600 × 800	980 EUR
Painted oak	1600 × 800	992 EUR
Painted oak w/ castors	1600 × 800	1042 EUR

These are the standard range of materials and colours, customized options are available upon request. Our lead time varies between 2 to 10 weeks depending on order quantities. We keep a 50+ stock from most of our products in European oak and American walnut clear lacquered finish. All products have a 3-year warranty. Please note these are Ex-work and VAT-exclusive prices, only including the packaging.



Feet options:

