

KORVET High barstool

KORVET family provides an elegant lift in any circumstances – barstools in three sizes guarantee the impeccable experience whether in a café, bar or at the counter in a modern kitchen. By providing the possibility of tailoring any interior in harmonious unity, the KORVET barstools cover all the possible heights and scenarios.

Dimensions:

460 × 460 × 925 mm (L × W × H)

Seat height: 750mm

Seat width: 400 mm

Seat depth: 370 mm

Weight: 5,7 kg

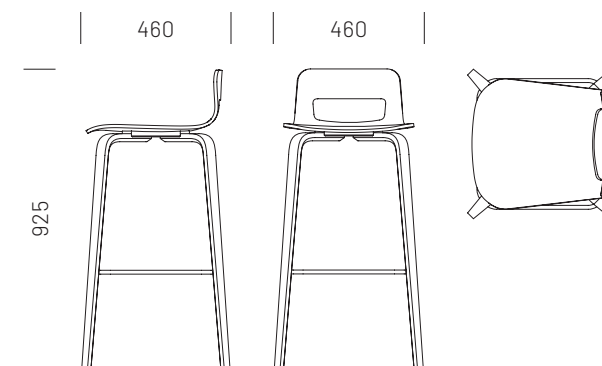
Certificates:

Stability and safety: MSZ EN 12520:2016; MSZ EN 16139:2013

Surface resistance: EN 12720:2009+A1:2013; SIS 83 91 17 2) or EN 15186 3); EN 12722:2009+A1:2013; EN 12721:2009+A1:2013; NS 8061; EN ISO 105-E04:2013



SURFACE	UPHOLSTERY	PRICE
Lacquered oak / walnut	–	234 EUR
Lacquered oak / walnut	Camira Era	290 EUR
Lacquered oak / walnut	Gabriel Step Melange	308 EUR
Lacquered oak / walnut	Sørensen Leather ULTRA	308 EUR
Painted oak	–	271 EUR
Painted oak	Camira Era	327 EUR
Painted oak	Gabriel Step Melange	345 EUR
Painted oak	Sørensen Leather ULTRA	345 EUR



These are the standard range of materials and colours, customized options are available upon request. Our lead time varies between 2 to 10 weeks depending on order quantities. We keep a 50+ stock from most of our products in European oak and American walnut clear lacquered finish. All products have a 3-year warranty. Please note these are Ex-work and VAT-exclusive prices, only including the packaging.