

FRIGATE Swivel chair with castors

The members of the FRIGATE family offer a high level of comfort and ergonomic quality. The three-dimensional backrest provides ideal support, while all the edges point away from the occupant's body, in order not to cut into it. The elegant swivel leg structure makes them a good fit for domestic, contract and corporate environments as well.

Dimensions:

530 × 495 × 800 mm (L×W×H)

Seat height 445 mm

Seat width 413 mm

Seat depth 435 mm

Weight: 5,6 kg

Certificates:

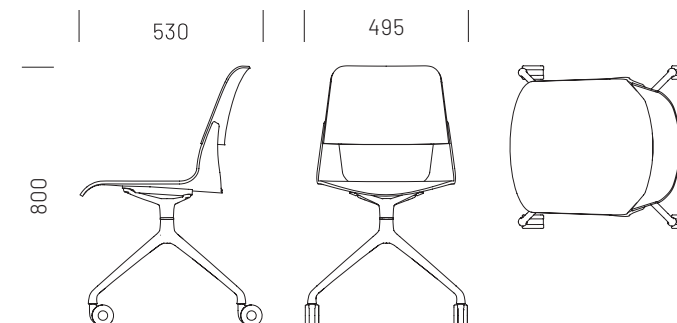
Stability and safety: MSZ EN 12520:2016; MSZ EN 16139:2013

Surface resistance: EN 12720:2009+A1:2013; SIS 83 91 17 2) or EN 15186 3);

EN 12722:2009+A1:2013; EN 12721:2009+A1:2013; NS 8061; EN ISO 105-E04:2013



SURFACE	UPHOLSTERY	PRICE
Lacquered oak / walnut	—	394 EUR
Lacquered oak / walnut	Camira Era	450 EUR
Lacquered oak / walnut	Gabriel Step Melange	468 EUR
Lacquered oak / walnut	Sørensen Leather ULTRA	468 EUR
Painted oak	—	419 EUR
Painted oak	Camira Era	475 EUR
Painted oak	Gabriel Step Melange	493 EUR
Painted oak	Sørensen Leather ULTRA	493 EUR



These are the standard range of materials and colours, customized options are available upon request. Our lead time varies between 2 to 10 weeks depending on order quantities. We keep a 50+ stock from most of our products in European oak and American walnut clear lacquered finish. All products have a 3-year warranty. Please note these are Ex-work and VAT-exclusive prices, only including the packaging.

