

# PARTNERSHIP

---

Year  
2019

Conference table

Designer  
**András Kerékgyártó**



PLYDESIGN

There are many different ways to make an impression – the invisible dynamics enter in motion at the moment when someone steps into a meeting room. PARTNERSHIP evokes quiet confidence which can serve as a foundation of ambiance in every meeting. The classic aesthetics, stringent lines along with the smooth surface revealing the woodgrain are soothing to the eye. Sophisticated platform for presentations or meetings with the opportunity of built-in electrical outlets.

Dimensions:

Medium conference table:

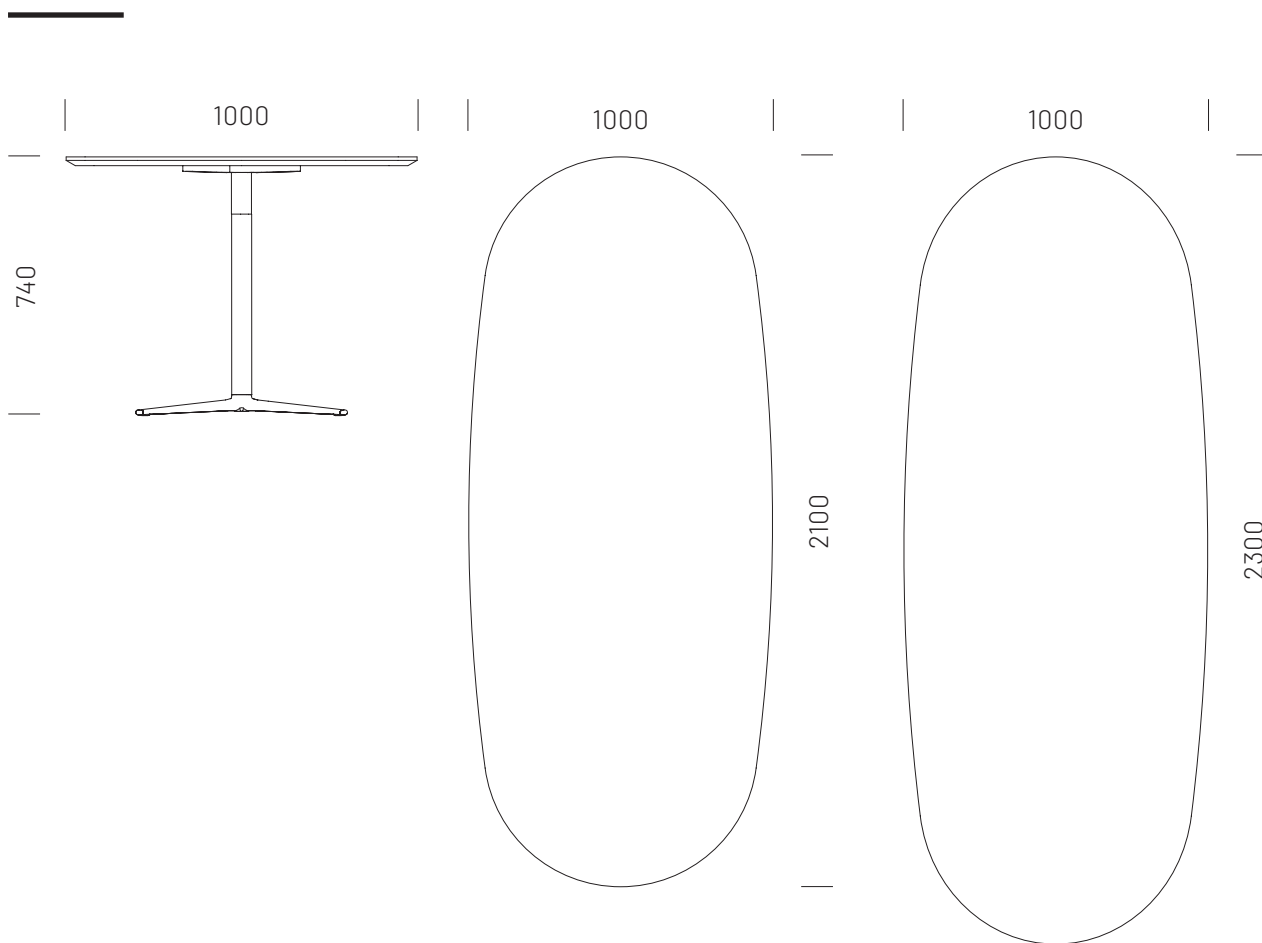
2100 × 1000 × 740 mm (L × W × H)

Weight: 41 kg

Large conference table:

2300 × 1000 × 740 mm (L × W × H)

Weight: 43,5 kg



**Optional socket set by EVoline** / The set contains:

- 2 EVoline Flip Top Push Data M, 2x power socket, brushed stainless steel EAN: 404465704528
- 1 EVoline Wirelane cable channel, black, plastic EAN: 4251396917106
- 1 EVoline Cable trail Prisma 1152 mm, black, plastic EAN: 8022543082413
- 9 EVoline Horizontal cable channel Prisma, black, plastic EAN: 8022543082420

**Certificates:**

Stability and safety:  
EN 12521:2016  
EN 15372:2016

Surface resistance:  
EN 12720:2009+A1:2013  
SIS 83 91 17 2) or EN 15186 3)  
EN 12722:2009+A1:2013  
EN 12721:2009+A1:2013  
NS 8061  
EN ISO 105-E04:2013



**Material &**  
*colour options*

## TABLETOP

## MATERIAL & COLOUR OPTIONS



American walnut



European oak



Bleached oak



Warm white



Peach



Claret



Blue



Green



Gray

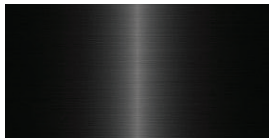


Black

## BASE OF TABLES



Polished aluminum



Black powder coated