

CAPTAIN

Year
2022

Toilet roll holder

Designer
Anna Kovács



PLYDESIGN

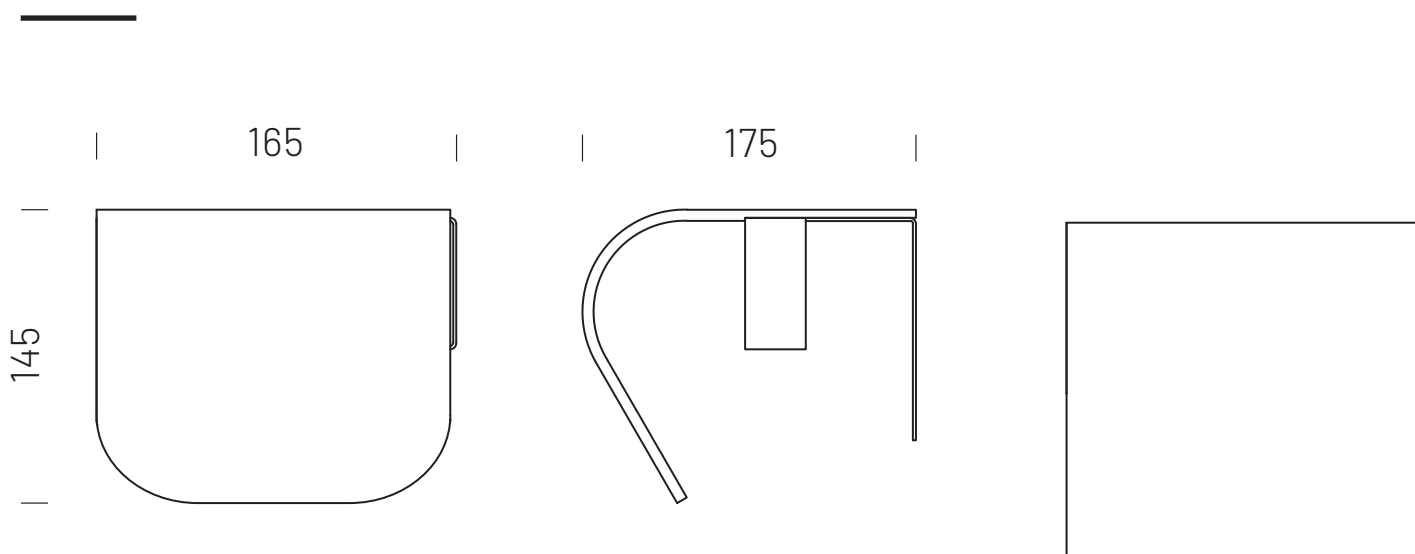
The CAPTAIN toilet roll dispenser upgrades the holder genre to a higher level. The holder is fixed parallel to the wall by the firm and sleek metal part, and the support bar stretching in the middle supports the effortless use of the paper roll. The toilet roll itself runs beneath the delicate curve of the plywood body. The flat surface allows for keeping ornaments, tissues or aromatzers on the top, which serves also as a little shelf.

The holder can be tailored according to your taste - the metal parts are available in white and black, and the wooden surface in American walnut, European oak, and painted oak.

Dimensions:

165 × 175 × 145 mm (L×W×H)

Weight: 1,5 kg



The mark of responsible forestry



Materials & *colour options*

WOODEN SURFACES



American walnut



European oak



Bleached oak



Warm white



Peach



Claret



Blue



Green

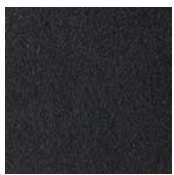


Gray



Black

METAL PARTS



Black
powder-coated



White
powder-coated