

PILOT

Year
2023

Tablet stand

Designer
Anna Kovács



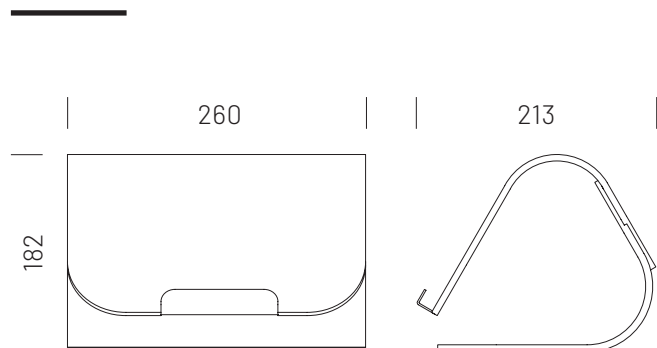
PLYDESIGN

Crafted from a premium blend of fine wood, this tablet stand seamlessly combines the earthy tones of European oak and American walnut, radiating a timeless warmth. Its unique geometric form ingeniously conceals petite essentials within, transforming it into a chic organiser, while its captivating design effortlessly elevates it into a visual masterpiece.

Dimensions:

260 x 213 x 182 mm (L x W x H)

Weight: 1,15 kg



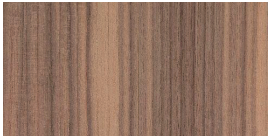
The mark of
responsible forestry



Anyag & *szín*opciók
Material & *colour* options

LAMP SURFACES

MATERIAL & COLOUR OPTIONS



American walnut



European oak



Bleached oak



Warm white



Peach



Claret



Blue



Green

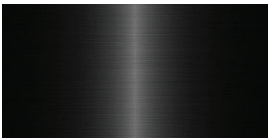


Gray

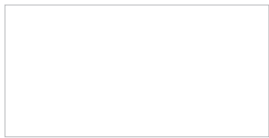


Black

METAL PARTS



Black powder coated



White powder coated