

FLAGSHIP

Year
2020

Swivel armchairs

Designer
András Kerékgyártó



PLYDESIGN

FLAGSHIP is a new take on the classic genre of armchair. The seat shell embraces gently the body providing sufficient support for the lumbar region, arms can be rested on a delicate lift at a perfect height, and the curved edges on the seat pan as well as on the back follow softly the lines of the thighs and back without cutting into them. The armrest and backrest form an inherent unity with the upholstery which conforms seamlessly to the composition. A wealth of possibilities is at disposal when it comes to stylistic preferences – bases, legs and shells are freely able to be combined as the joints of each parts are compatible with each other.

Dimensions:

Swivel armchair:

525 × 600 × 760 mm (L×W×H)

Seat height: 450 mm

Seat width: 400 mm

Seat depth: 425 mm

Weight: 8,1 kg

Swivel chair w/ castors:

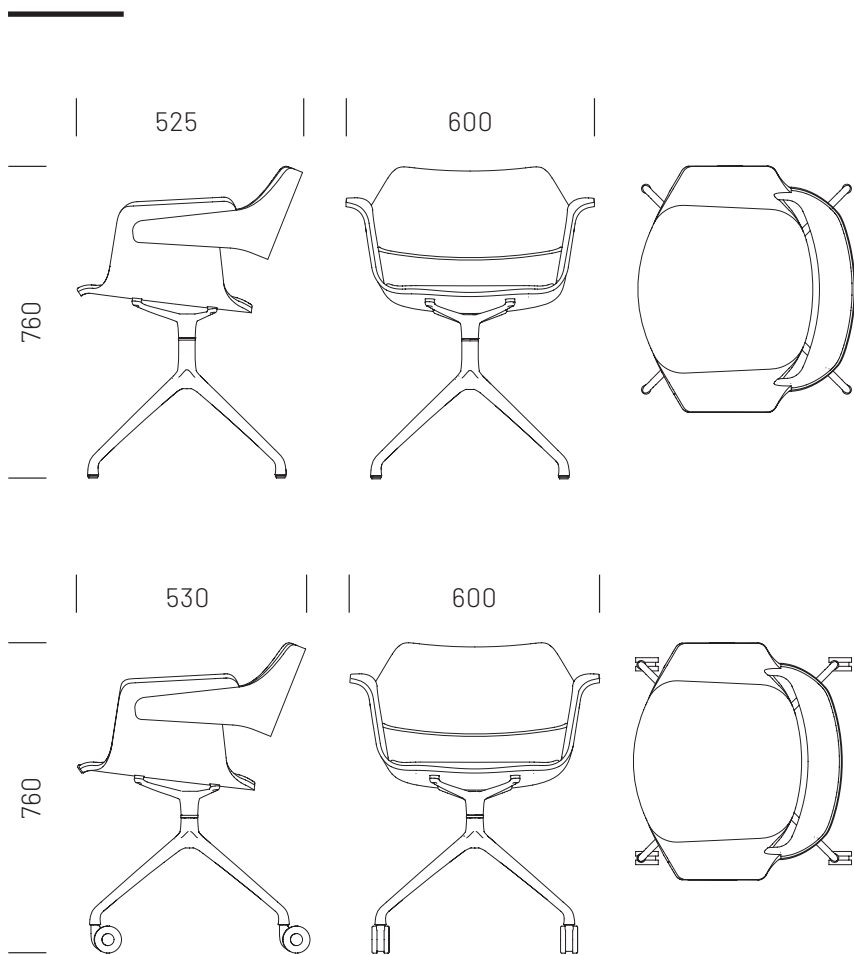
530 × 600 × 760 mm (L×W×H)

Seat height 450 mm

Seat width 400 mm

Seat depth 425 mm

Weight: 8,4 kg



Certificates:

Stability and safety:
MSZ EN 12520:2016
MSZ EN 16139:2013

Surface resistance:
EN 12720:2009+A1:2013
SIS 83 91 17 2) or EN 15186 3)
EN 12722:2009+A1:2013
EN 12721:2009+A1:2013
NS 8061
EN ISO 105-E04:2013



Material &
colour options

SHELL

MATERIAL & COLOUR OPTIONS



American walnut



European oak



Bleached oak



Warm white



Peach



Claret



Blue



Green



Gray



Black

BASE OF SWIVEL CHAIRS

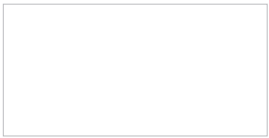
CASTORS



Polished aluminum



Black powder-coated



White powder-coated



Black



Chrome



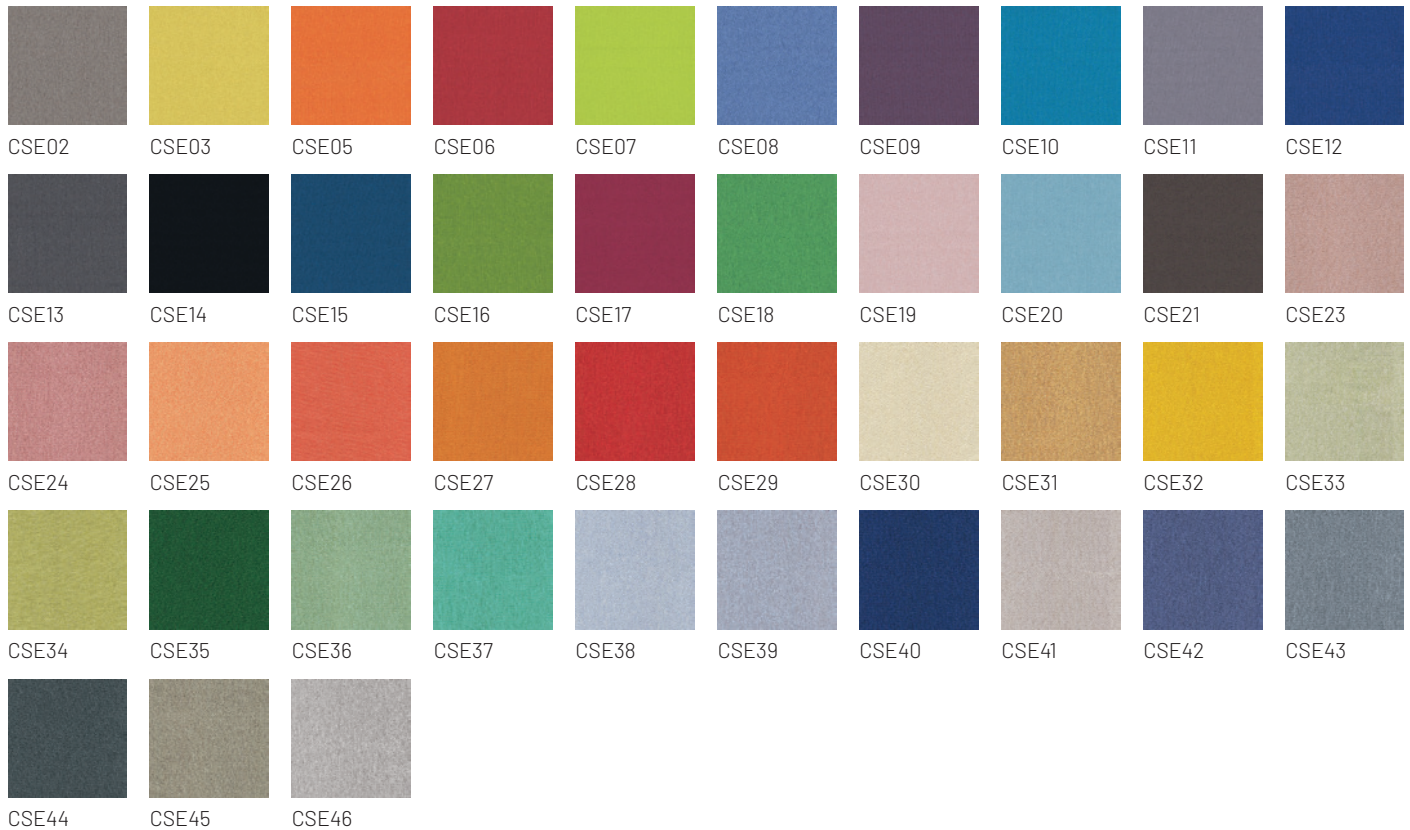
White

ERA

*Designed by Penny Lovatt and
recoloured by Morwenna
Fallows*



CSE01

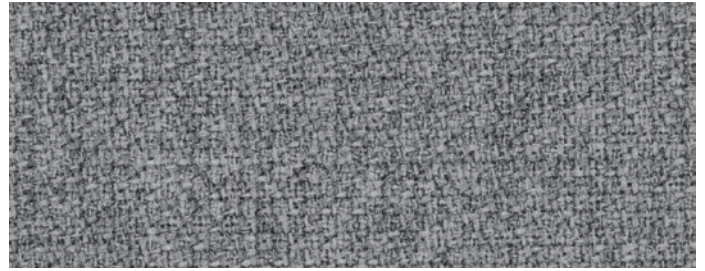


| COMPOSITION | DURABILITY | LIGHTFASTNESS | PILLING | FLAMMABILITY* | ENVIRONMENT |
|--|----------------------|---------------|------------------|--|--|
| 100% Polyester. Non metallic dyestuffs | ≥ 100.000 Martindale | 5 | Dry: 4 Wet: 4 | EN 1021 - 1 (cigarette) EN 1021 - 2 (match) BS 7176 Low Hazard | OEKO-TEX® Standard 100 Indoor Advantage™ „Gold“ |

* Find more information at camirafabrics.com

STEP MELANGE

Designed by Inger Mosholt Nielsen



60004



| COMPOSITION | DURABILITY | LIGHTFASTNESS | PILLING | FLAMMABILITY* | ENVIRONMENT |
|-----------------|--------------------|---------------|---------|--|--|
| 100% Trevira cs | 100.000 Martindale | 5-7 | 4-5 | IMO MSC 307(88) Annex 1 part 8 MED Certificate IMO IMO MSC 307(88) Annex 1 part 8 UK | STANDARD 100 by OEKO-TEX® EU Ecolabel |

* Find more information at gabriel.dk

ULTRA



41598



41599 41590 41573 41580 41575 41597 41589 41588 41585 41586
 41584 41576 41583 41582 41581 41594 41593 41579 41578 41574
 41587 41592 41571 41572 41566 41570 41569 41568 41567

| COMPOSITION | LIGHTFASTNESS | PILLING | FLAMMABILITY* | ENVIRONMENT |
|-------------------|---------------|--------------------|--------------------------------------|-------------------|
| Protected leather | 6-7 | Dry: 4-5 Wet: 4 | BS EN 1021-1 and 2 CA TB 117-2013 | Free of chrome VI |

*Find more information at sorensenleather.com