

# MOTHERSHIP

---

Year  
2023

Tilting bar table

Designer  
**András Kerékgártó**



PLYDESIGN

The MOTHERSHIP tea tables with metal base are available in two sizes and create a perfect setting for both domestic and contract environments, such as cafés, restaurants, etc. The tables are lightweight, but also very stable and sturdy at the same time.

This collection is completed by the MOTHERSHIP tilting bar table, which allows tailoring hospitality interiors harmoniously and functionally with the KORVET high barstools.

Dimensions:

Small table size

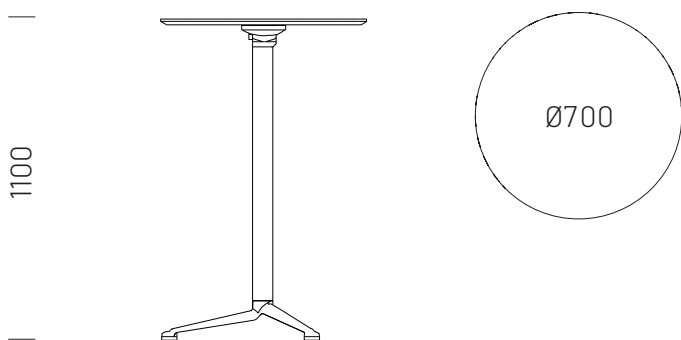
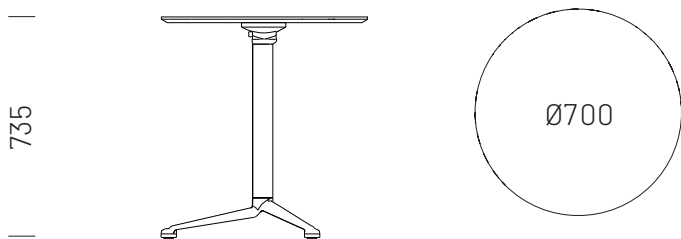
Ø700 × 735 mm (D × H)

Weight: 15,3 kg

Tall table size:

Ø700 × 1100 mm (D × H)

Weight: 17,5 kg





**Material &**  
*colour options*

## TABLETOP

## MATERIAL & COLOUR OPTIONS



American walnut



European oak



Bleached oak



Warm white



Peach



Claret



Blue



Green



Gray



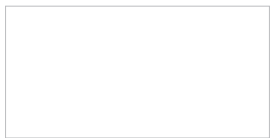
Black

## BASE OF TILTING TABLES



Black powder coated

Gray powder coated



White powder coated