

MOTHERSHIP

Year
2019

Tilting table

Designer
András Kerégyártó



PLYDESIGN

MOTHERSHIP tilting table adapts to the contemporary lifestyle which involves dynamic changing of settings in an interior or moving frequently. The tilting base allows public spaces to transform a place in an efficient way and to store a large amount of desks without problem. The Mothership Office tables, available in two sizes - 1400 × 800 mm and 1600 × 800 mm - offer an ideal setting for office areas both for domestic and contract environments. The tilting base allows mobility in the workspace and efficient storage of multiple desks.

Dimensions:

Medium tilting table:

1400 × 800 × 705 mm (L×W×H)

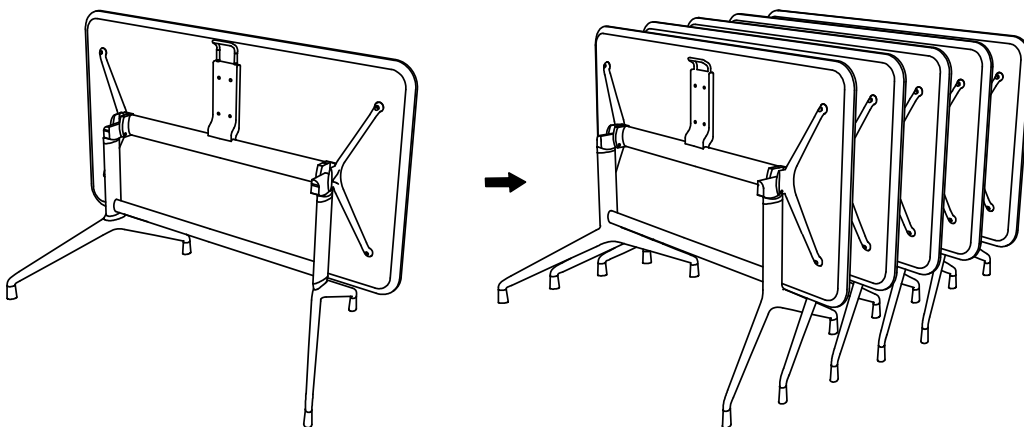
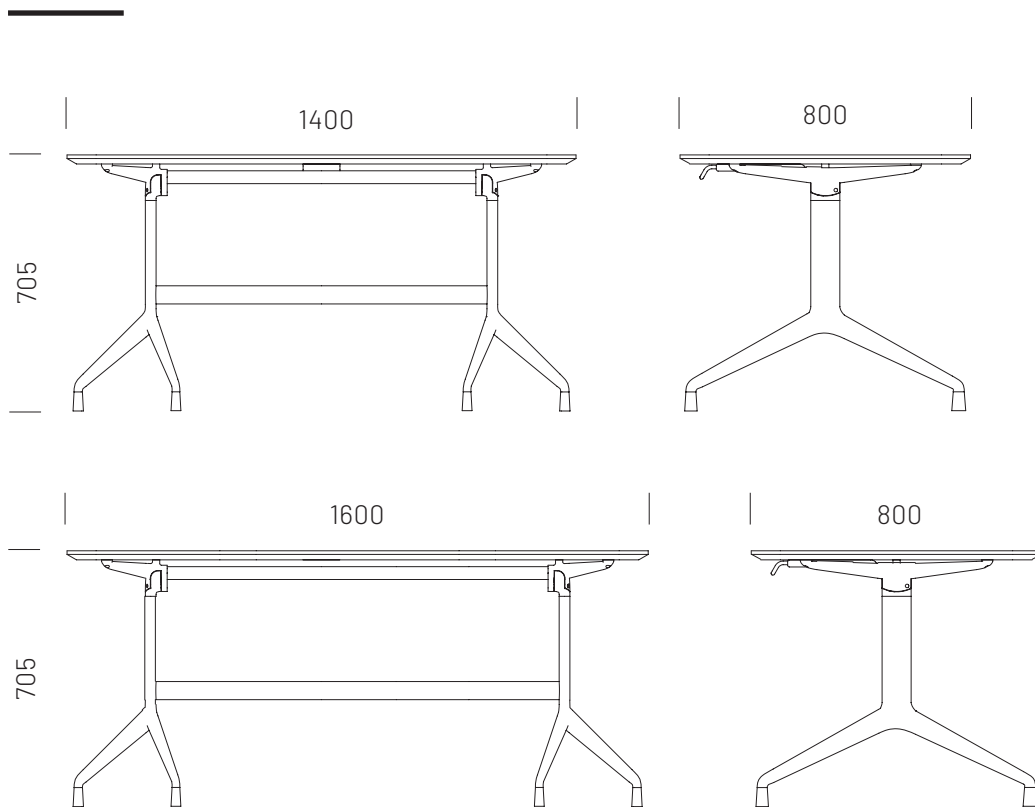
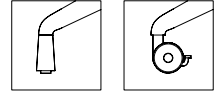
Weight: 31,7 kg

Large tilting table:

1600 × 800 × 705 mm (L×W×H)

Weight: 34,8 kg

Feet options:



Certificates:

Stability and safety:
EN 12521:2016
EN 15372:2016

Surface resistance:
EN 12720:2009+A1:2013
SIS 83 91 17 2) or EN 15186 3)
EN 12722:2009+A1:2013
EN 12721:2009+A1:2013
NS 8061
EN ISO 105-E04:2013



Material &
colour options

TABLETOP

MATERIAL & COLOUR OPTIONS



American walnut



European oak



Bleached oak



Warm white



Peach



Claret



Blue



Green



Gray



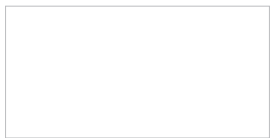
Black

BASE OF TILTING TABLES



Black powder coated

Gray powder coated



White powder coated